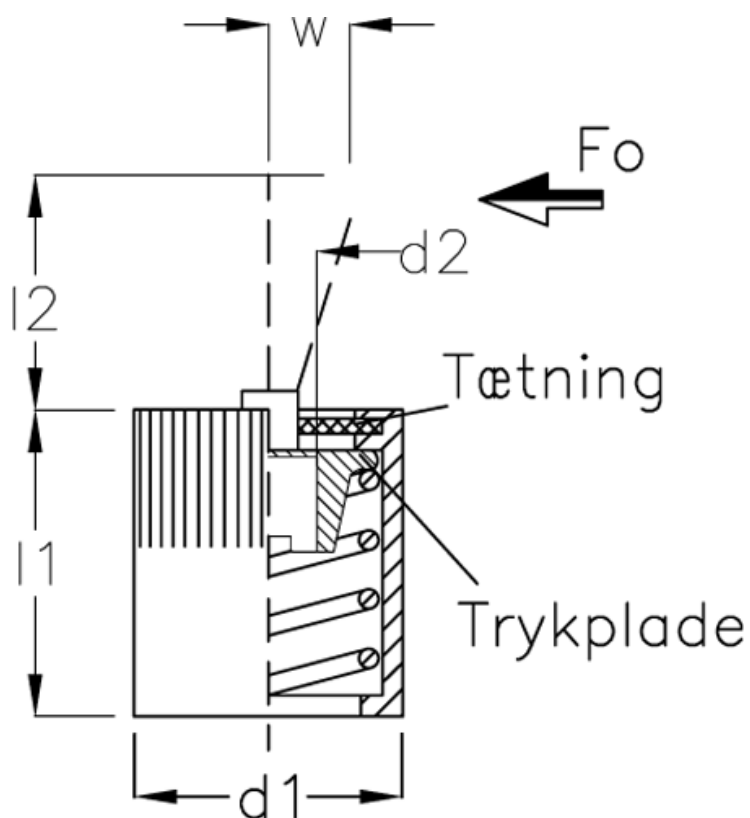


Data Sheet



Article number: 20100016B
Description: E+G
Side thrust pin GN 714-16-300

Measures



d1	= 16
d2	= M6
d3	= 16
H	= 18
l1	= 18
l2	= 11.5
screw driver	= GN 715.1-1
Side power N at l2	= 300

W = 3.2